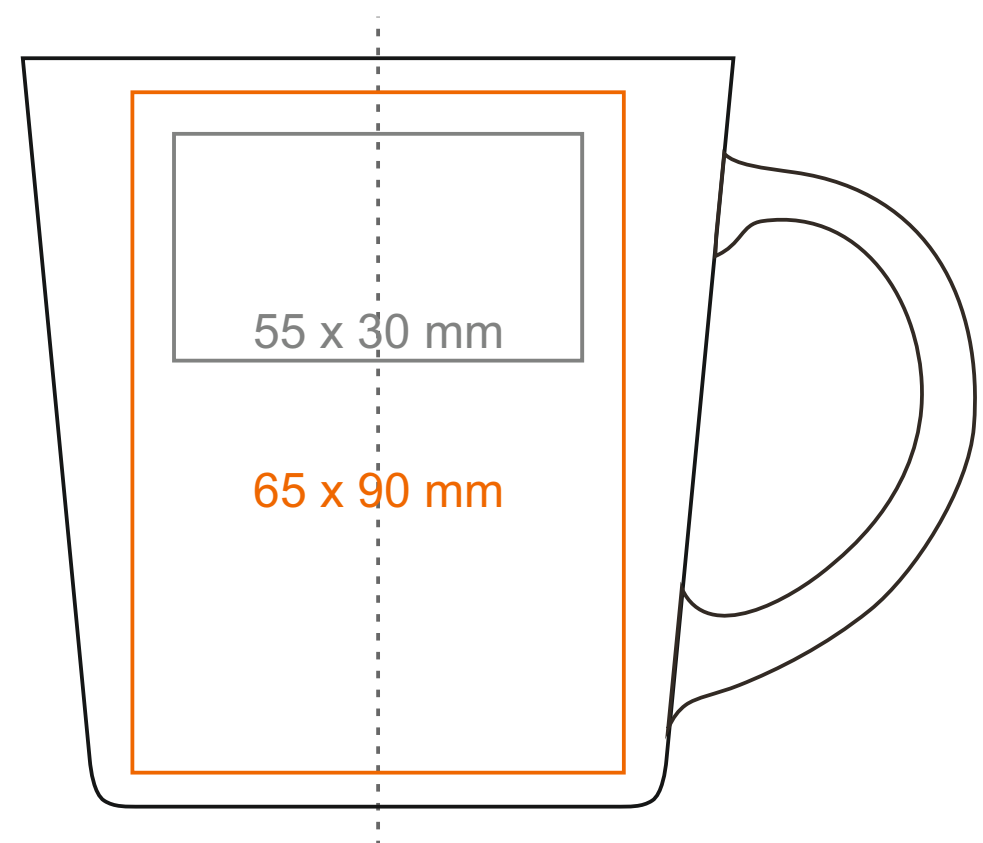
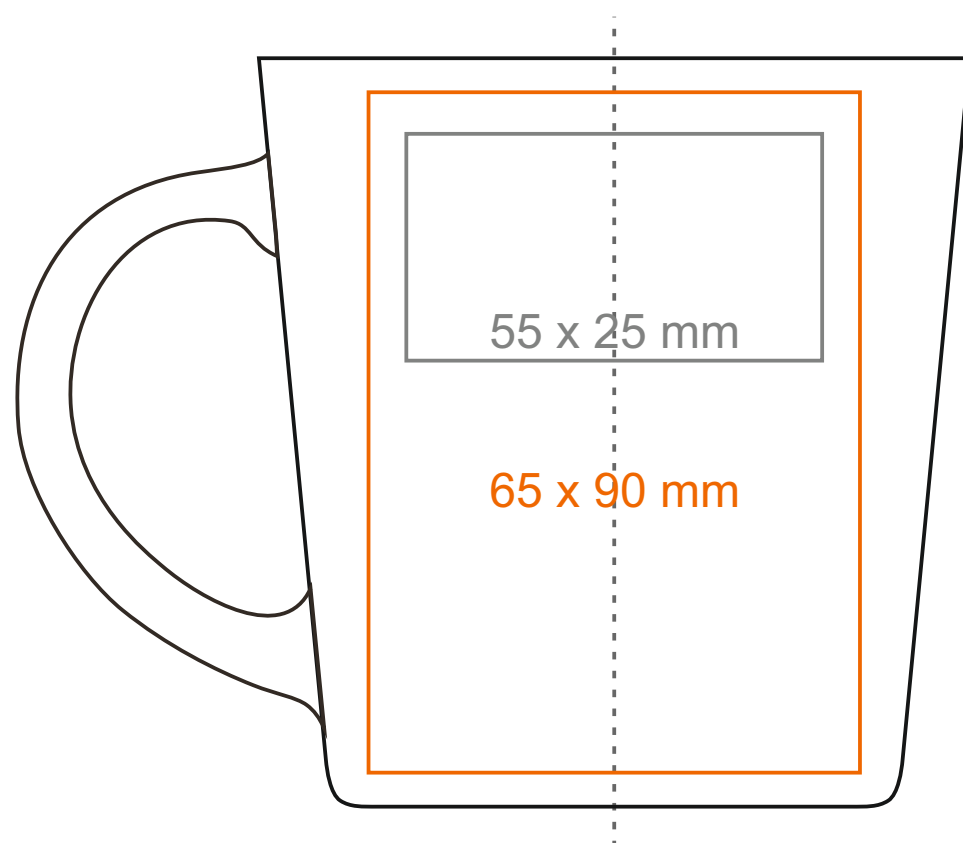
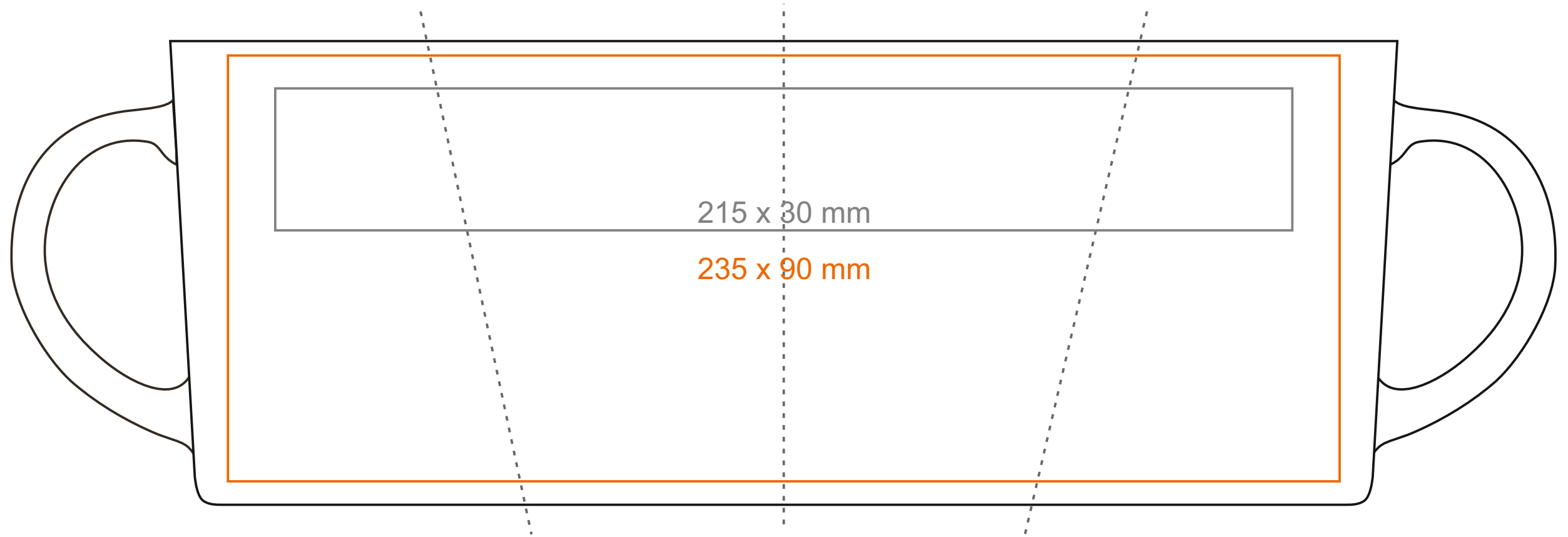


# M\_482 Berg

400 ml / h: 98 mm / Ø 94 mm



Imprint on the handle

- 80 x 12 mm

Imprint on the inside

- 50 x 20 mm

Imprint on the bottom inside

- Ø 40 mm

Imprint on the bottom outside

- Ø 45 mm

\*In the case of projects for transfer print running outside of the standard print area, please contact our sales department.

[How to prepare print material](#)

meaning

- Transfer Print
- Sensitive Touch
- Direct Print